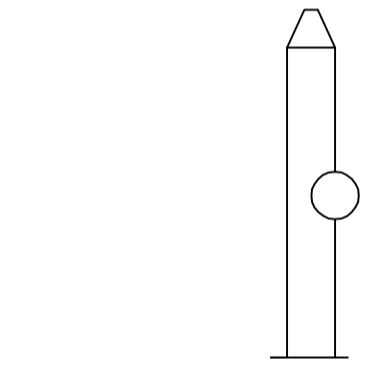
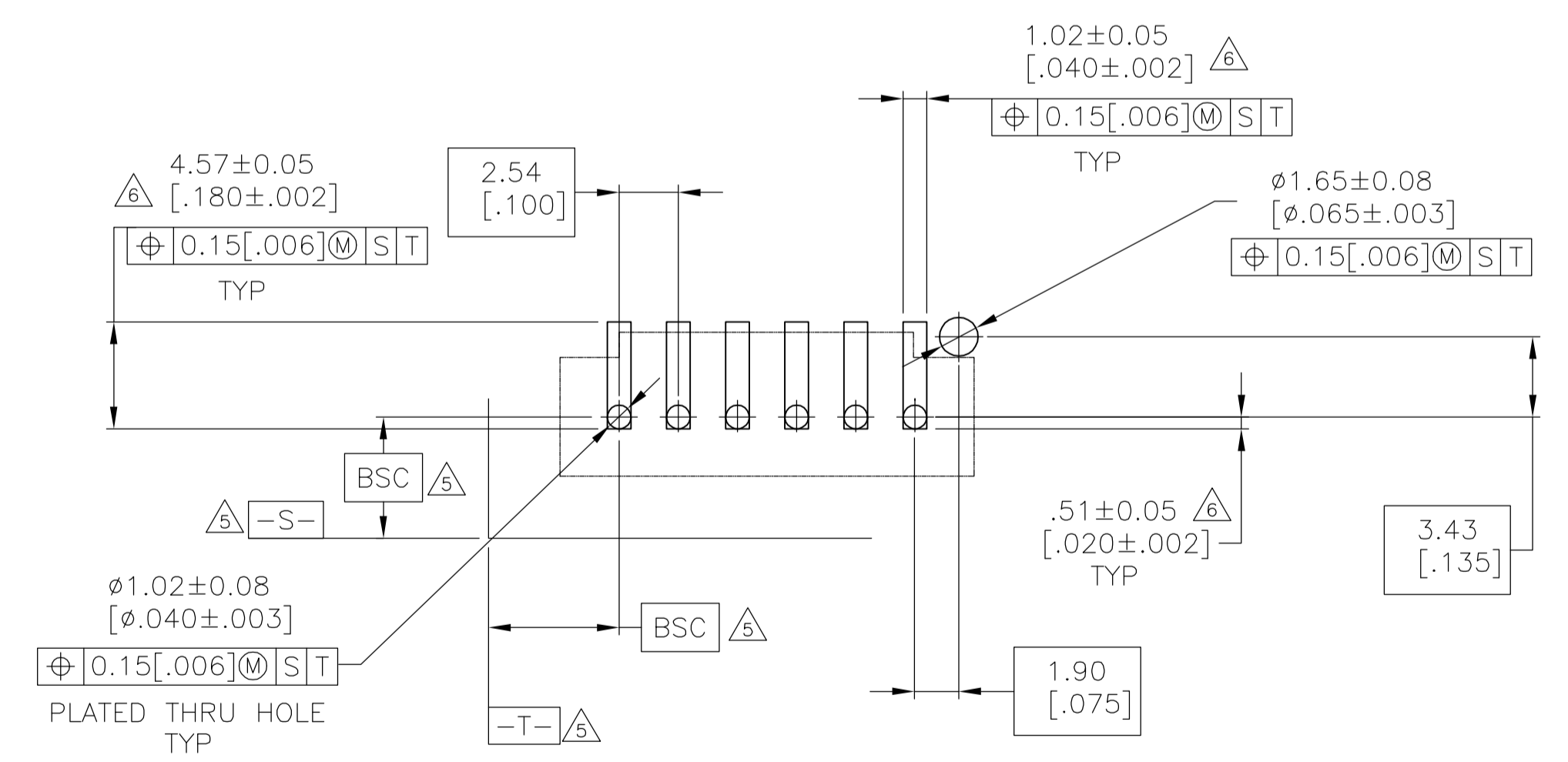


DETAIL N
SCALE 10:1



DETAIL Z
POST DETAIL TYP
2 POST MINIMUM
SCALE 10:1



RECOMMENDED PC BOARD MOUNTING DIMENSIONS
 RECOMMENDED STENCIL THICKNESS = 0.25[.010]

- 1 HOUSING: HIGH TEMPERATURE THERMOPLASTIC, COLOR-BLACK. POST: BRASS
- 2 FINISH: 0.00076 [.000030] MIN GOLD ON THE CONTACT AREA, 0.00254 [.000100] MIN MATTE TIN-LEAD ON REMAINDER OF CONTACT, ALL OVER 0.00127 [.000050] NICKEL.
- 3 SELECT POST TAILS FORMED TO PROVIDE CONNECTOR HOLD DOWN UNTIL SOLDERED, CONFIGURATION ACCEPTS 0.69-2.03 [.027-.080] THICK PRINTED CIRCUIT BOARD.(SEE DETAIL Z)
- 4 PARTS ARE PACKAGED IN GANG TUBES.
- 5 DATUMS AND BASIC DIMENSIONS ESTABLISHED BY CUSTOMER.
- 6 DIMENSIONS NOTED ARE FOR SOLDER STENCIL LAYOUT FOR USE WITH 1.58±0.20 [.062±.008] THICK PRINTED CIRCUIT BOARDS.
- 7 PRELIMINARY PART-NOT RELEASED FOR PRODUCTION.
- 8 FINISH: 0.00076 [.000030] MIN GOLD ON THE CONTACT AREA, 0.00254 [.000100] MIN MATTE TIN ON REMAINDER OF CONTACT, ALL OVER 0.00127 [.000050] NICKEL.

8	27.94 [1.100]	25.91 [1.020]	9	10	5-147245-9
8	22.86 [.900]	20.83 [.820]	7	8	5-147245-7
8	7.62 [.300]	5.59 [.220]	1	2	5-147245-1
7	27.94 [1.100]	25.91 [1.020]	9	10	147245-9
7	22.86 [.900]	20.83 [.820]	7	8	147245-7
2	7.62 [.300]	5.59 [.220]	1	2	147245-1
PLATING	C	B	A	NO. OF POSN	PART NO.

THIS DRAWING IS A CONTROLLED DOCUMENT.

DIMENSIONS: mm [INCHES]	TOLERANCES UNLESS OTHERWISE SPECIFIED:	DRAWN BY: HAYMAKER 01APR99	CHK: J.GESFORD 02APR99	APVD: J.GESFORD 02APR99	NAME: J.GESFORD	PRODUCT SPEC: --	APPLICATION SPEC: --	SIZE: A1	SCALE: 4:1	WEIGHT: --	RESTRICTED TO: --
0 PLC ± -	1 PLC ± -	2 PLC ± -	3 PLC ± 0.13[.005]	4 PLC ± -	ANGLES ± -	FINISH SEE TABLE	WEIGHT --	SCALE 4:1	SHEET 1 OF 1	REV D	

THIS DRAWING IS A CONTROLLED DOCUMENT. Tyco Electronics Corporation, Harrisburg, Pa 17105-3608

PRODUCT SPEC: HEADER ASSEMBLY, SINGLE ROW, VERTICAL, 2.54 [.100] CL, 0.64 [.025] SQ POST, LATCHING WITH HOLD DOWN, MTE AMPMODU

SIZE: A1 00779 C=147245

CUSTOMER DRAWING